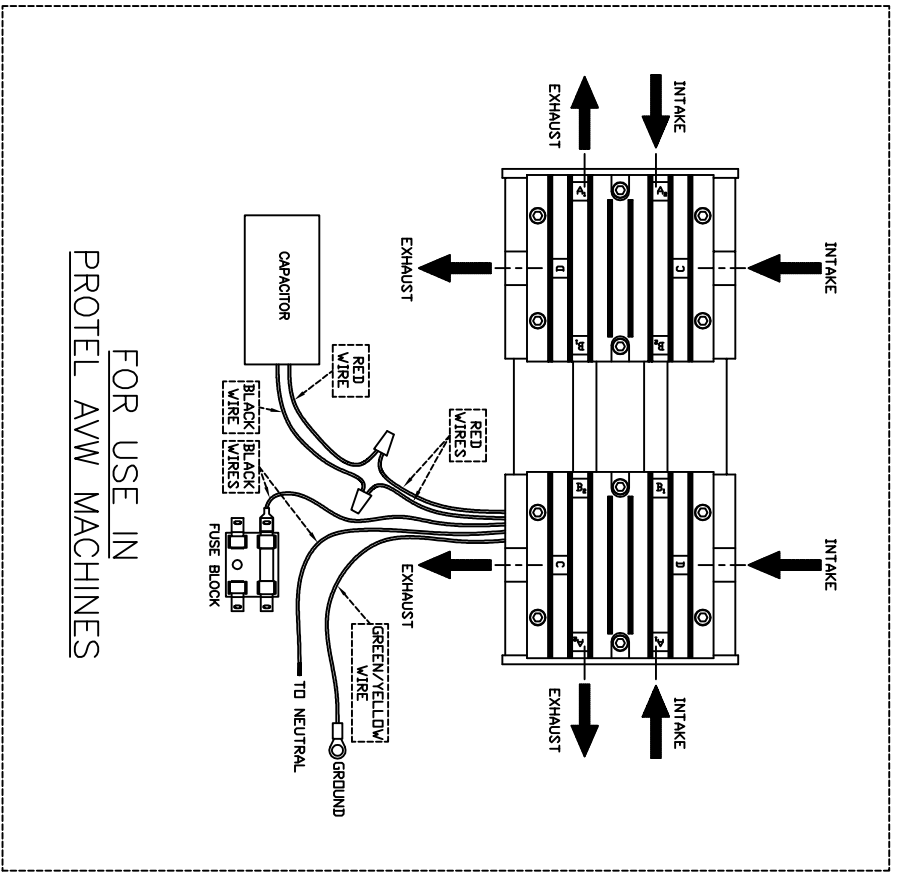
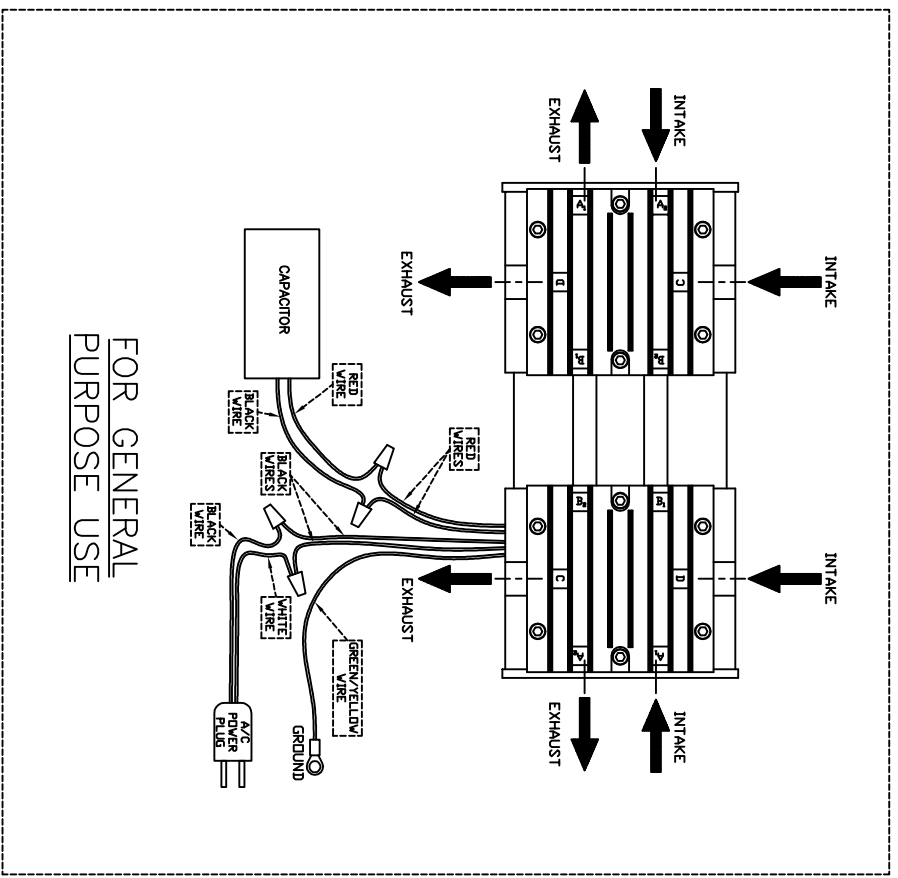


ISS #		ECO #		REV		DESCRIPTION		DATE		APPROV	
		-1				PRELIMINARY					

REVISIONS



FOR USE IN  
PROTEL AWW MACHINES



FOR GENERAL  
PURPOSE USE

- NOTES. UNLESS OTHERWISE SPECIFIED**
1. INTERPRET THIS DRAWING IN ACCORDANCE WITH ANSI Y14.5M-1982.
  2. MATERIAL: 20# WHITE BOND, TEXT AND GRAPHICS TO BE BLACK.
  3. FINISH INSTRUCTION SHEET DIMENSIONS: 8.5 X 11
  4. ARTWORK TO BE FURNISHED BY PROTEL.

APPROVALS		DATE		<p><b>Protel</b> Innovation is our business</p> <p><b>WIRING DIAGRAM</b></p> <p>COMPRESSOR 550W TWIN CYL</p> <p>PRODUCT NUMBER HDM0169300 DRAWING NUMBER 240404</p> <p>SCALE 1:2 CAD NUMBER 240404-1 SHEET 1 OF 2</p>			
DESIGNED BY	DRAWN BY	CHECKED BY					
USED ON	NEXT ASSY						
<p>NOTICE OF PROPRIETARY AND CONFIDENTIAL PROPERTY THESE DRAWINGS AND SPECIFICATIONS ARE THE PROPERTY OF PROTEL, INC. AND ARE NOT TO BE REPRODUCED, COPIED OR USED AS THE BASIS FOR MANUFACTURE OR SALE OF ANY APPARATUS WITHOUT THE EXPRESS WRITTEN AUTHORIZATION FROM PROTEL, INC.</p>				<p>UNLESS OTHERWISE SPECIFIED ALL DIMENSIONS ARE IN INCHES UNLESS OTHERWISE NOTED</p> <p>FRACTIONS: XX +</p> <p>DECIMALS: .XX +</p> <p>ANGLES: °</p>			
MATERIAL		FINISH					

1 2 3 4

A B C D